

Image shows L141 with round (R) white (W) finish.



MP Lighting Recessed Downlights

Image shows L142 with white (WH) finish.



MP Lighting's LED Recessed Downlights provide highly efficient illumination for commercial, retail, institutional, and residential applications. Our recessed downlight products feature the most current LED technology, ensuring optimum efficiency and light output is achieved in each application. Each fixture is equipped with an advanced thermal management system for reliable operation and performance. MP Lighting's Recessed Downlights feature the L141 and L142 LED products:

L141 The L141 features a field replaceable LED lamp and light output comparable to a 50W MR16 source. The L141 is suitable for use in insulated and non-insulated ceilings and comes in 3000K and 5000K color temperatures. Options are available for beam spread, trim and finish.

L142 The L142 is designed with pivoting housing allowing users to position the light source for direct or angled downlighting. It features a 9W LED source with light output comparable to a 35W MR16. This fixture is ideal for illuminating products in galleries or retail stores, is suitable for insulated and non-insulated ceilings, and comes in 3500K and 4100K color temperatures.

MR16 Halogen Lamps vs. MP LED Downlights

	50W MR16 (Halogen Lamp)	L141 (MP 13W LED)		35W MR16 (Halogen Lamp)	L142 (MP 9.5W LED)	
		Warm White (W30S)	Cool White (W50S)		Warm White (W30S)	Cool White (W41S)
LED Wattage	50W	13W	13W	35W	9.5W	9.5W
Efficacy	17 lm/W	70 lm/W	103 lm/W	15 lm/W	52 lm/W	62 lm/W
Lumens	850	900	1335	540	490	587
Life Time in Hours	3,000	50,000	50,000	3,000	50,000	50,000
Life Time in Years [◇]	1.03	17.12	17.12	1.03	17.12	17.12
Use of Electricity in 50,000 Hours	2,500kwh (50W x 50,000h)	650kwh (13W x 50,000h)	650kwh (13W x 50,000h)	1,750kwh (35W x 50,000h)	475kwh (9.5W x 50,000h)	475kwh (9.5W x 50,000h)
Cost of Electricity in 50,000 Hours [†]	\$350.00 (2,500kwh x \$0.14/kwh)	\$91.00 (650kwh x \$0.14/kwh)	\$91.00 (650kwh x \$0.14/kwh)	\$245.00 (1,750kwh x \$0.14/kwh)	\$66.50 (475kwh x \$0.14/kwh)	\$66.50 (475kwh x \$0.14/kwh)
Maintenance Labor Cost in 50,000 Hours	\$171.30 ($\$1.67^* \times 15^2 + \$9.75^3 \times 15^4$)	\$0	\$0	\$171.30 ($\$1.67^* \times 15^2 + \$9.75^3 \times 15^4$)	\$0	\$0

[◇]Based on the usage of 8 hours/day. [†]Electricity rate \$0.14/kwh.

^{*}Labor cost is \$1.67 per lamp, which is based on 4 minute re-lamping time per fixture.

²Lamp life time differential.

³Commercial budget price of MP Lighting MR16 Lamp.

⁴Number of lamp replacements in 50,000 hours.

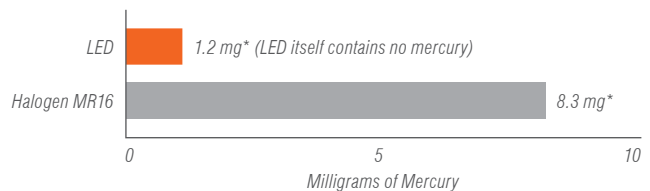
Environmental Benefits

Less Mercury Emissions

(Evaluated over a five-year life)

Since coal power in the United States accounts for approximately 50% of all power production, by using the electricity generated from coal, there is an emission of mercury.

^{*}By using the electricity that is generated from coal-burning power plants. (Information is partially provided by USEPA, June 2002)

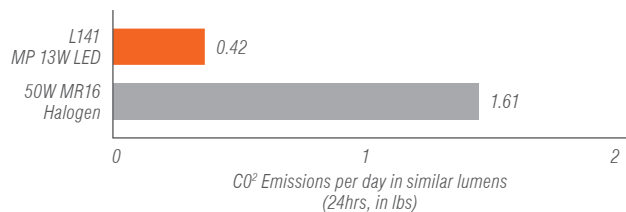


Less CO₂ Emissions

(Based on the national average of 1.34lbs/kwh)

Most of our electrical power supplies come from burning fossil fuels, especially coal, a huge CO₂ culprit. By using such electricity, there is an emission of CO₂.

(Information is partially provided by National Geographic Society-Green Guide)



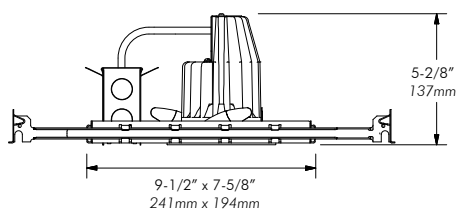
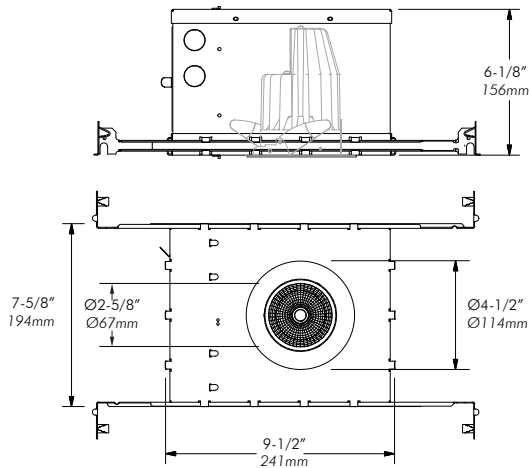
Less Environmental Waste

The average life of one MP LED Downlight is equal to using at least 16 MR16 light bulbs. Switching to LED lamps will not only save money, but will help save the environment too.



L141

Shown as insulated (IC), round trim (R) with white finish (W).



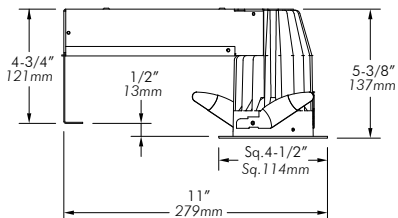
NI

Shown as non-insulated frame-in kit (NI), round trim (R) with white finish (W).

R

(Old Code: NI)

Shown as retrofit (R), square trim (S) with black finish (B).



Due to continuous improvements and innovations, specifications may change without notice.



L141 SPECIFICATIONS

Application	Downlight with field replaceable LED lamp.
Source	13W LED powered by 700mA integral dimmable or non-dimmable driver (please specify).
Input Current	0.12A
Input Voltage	120V AC
Power Consumption	16W
Dimming	0-10V (120V input only).
Weight	Insulated (IC), 6.21lbs (2.82kg). Non-insulated (NI), 5.17lbs (2.35kg). Retrofit (R), 5.16lbs (2.34kg).
Material	Aluminum.
Mounting	Recessed mount into drywall or acoustic tile ceiling grids with friction-fit spring clips. Retrofit housing not suitable for acoustic tile grids.
Ceiling Cutout Size	4" (102mm)
Approval	Dry and damp locations. Approved to UL standards by CSA/US.
Note	Can be used as emergency backup lighting in conjunction with Bodine BSL722 emergency LED driver (sold separately).



OPTIONS

Code	L141
Housing	IC = Insulated ceiling NI = Non-insulated frame-in kit R = Retrofit
Dimming	ND = Non-dimmable D = Dimmable
Wattage	13 = 13W
Color	W30S = 3000k, std CRI W50S = 5000k, std CRI
Beam	30 = 30° Beam 45 = 45° Beam
Trim	R = Round S = Square
Finish	W = White B = Black

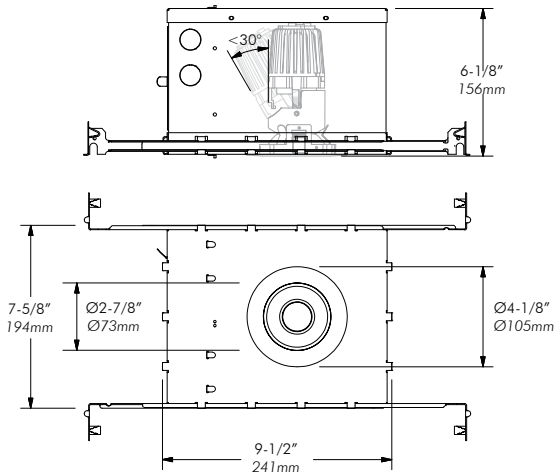
L142

Shown as insulated (IC),
with white finish (WH).



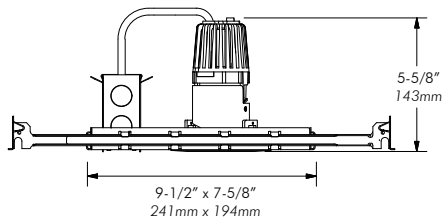
IC

Adjustable beam up
to a maximum of 30°



NI

Shown as non-insulated
frame-in kit (NI),
with black finish (BK).



L142 SPECIFICATIONS

Application	Adjustable LED downlight (0~30°).
Source	9.5W LED powered by 700mA integral dimmable or non-dimmable driver (please specify).
Input Current	0.08A
Input Voltage	120V AC
Power Consumption	12W
Dimming	0-10V (120V input only).
Weight	Insulated (IC), 3.55lbs (1.61kg). Non-insulated (NI), 2.51lbs (1.14kg).
Material	Aluminum.
Mounting	Recessed mount into drywall or acoustic tile ceilings with friction-fit spring clips.
Ceiling Cutout Size	3.5" (89mm)
Approval	Dry and damp locations. Approved to UL standards by CSA/US.
Note	Can be used as emergency backup lighting in conjunction with Bodine BSL722 emergency LED driver (sold separately).



OPTIONS

Code	L142
Housing	IC = Insulated ceiling NI = Non-insulated frame-in kit
Dimming	ND = Non-dimmable D = Dimmable
Wattage	9 = 9.5W
Color	W30S = 3000k, std CRI W41S = 4100k, std CRI
Beam	16 = 16° Beam 22 = 22° Beam 36 = 36° Beam
Finish	WH = White BK = Black



2010 © MP Lighting.



[M] MPLIGHTING

16 West 4th Avenue
Vancouver BC V5Y 1G3 Canada

t 1.877.708.1184 (toll free)
t 604.708.1184
f 604.708.1185
sales@mplighting.com
www.mplighting.com

© 2010 MP Lighting.

The information in this book is
subject to change without notice.

08-2010